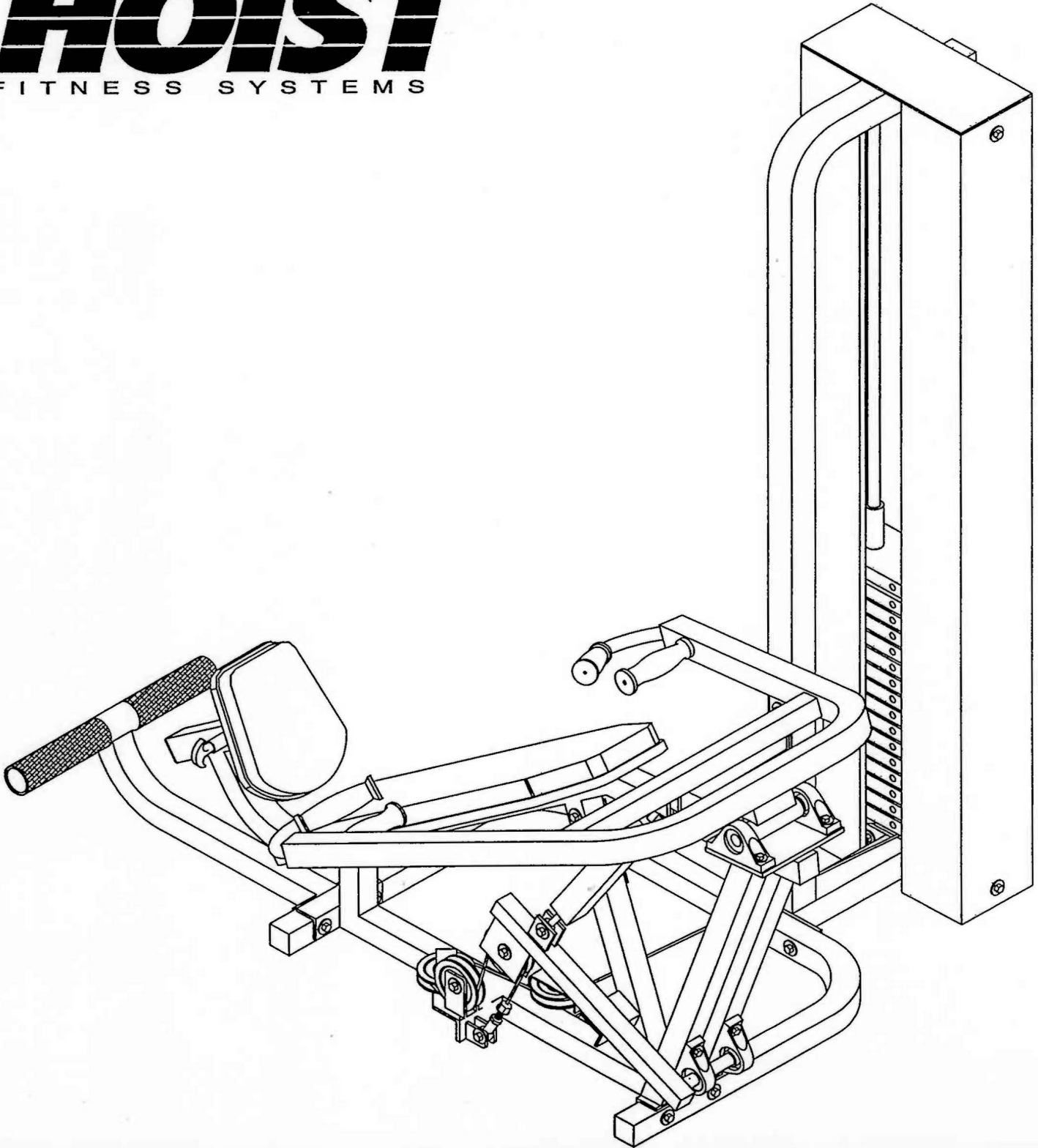


S303

INCLINE PRESS

HOIST[®]
FITNESS SYSTEMS



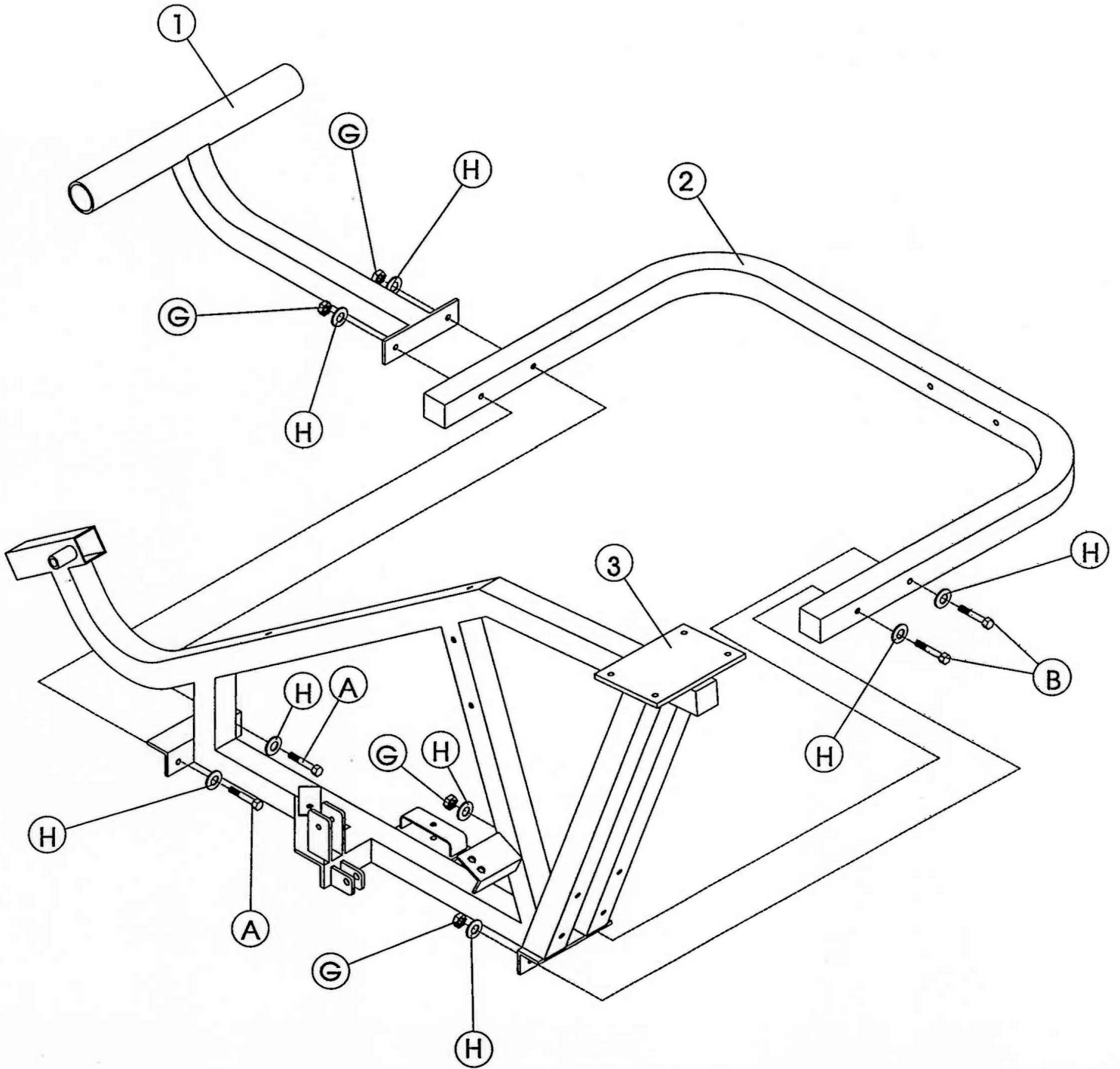
Key No.	Qty.	Part Number	Description
1	01	61-S30311	FOOT REST
2	01	61-S30312	BASE FRAME
3	01	61-S30301	MAIN FRAME ASSEMBLY
4	01	61-S30302	WEIGHT CAGE
5	01	61-S30303	CROSS MEMBER
6	02	26-STD-PLAS112	EZ-GLIDE SEAT INSERT
7	01	61-S30310	INNER ARM ADJUST TUBE
8	01	26-STD-SU911	SEAT 9" x 11"
9	01	26-STD-SM128	1/2" PULLPIN (SHORT) RELIABLE
10	01	26-SDT-SU1040T	BACK 10" x 40" TAPERED
11	01	61-S30308	ARM ASSEMBLY
12	04	14-BRG-RAD1PILP	PILLOW BLOCK BEARING
13	02	19-PLG-1	BUMPER PLUG
14	01	61-S30309	RESISTANCE LEVER
15	01	61-S30304	WEIGHT STACK TOP
16	02	14-BSH-GRD-34	GUIDE ROD SNAP BUSHING
17	02	26-STD-SG107	59 3/4" GUIDE ROD
18	01	26-STD-SW102	8 1/4 lb. TOP PLATE
19	20	26-STD-SW101	12 1/2 lb. INTERMEDIATE PLATE
20	02	19-WSB-12	1/2" RUBBER DONUT
21	01	61-S30305	WEIGHT STACK BOTTOM
22	02	14-END-M1220	MALE ROD END
23	01	61-S30307	INNER ARM ADJUST TUBE
24	01	61-S30306	OUTER ARM ADJUST TUBE
25	01	14-END-F1220	FEMALE ROD END
26	02	26-STD-SSH120	59 3/4" SHIELDS
27	01	26-STD-SM129	1/2" PULL-PIN (LARGE) RELIABLE

Key No.	Qty.	Part Number	Description
A	02	11-HEX-383	3/8 x 3 HEX BOLT
B	12	11-HEX-38234	3/8 x 2 3/4 HEX BOLT
C	06	11-HEX-38(16)2	3/8 x 2 HEX BOLT
D	04	11-HEX-38314	3/8 x 3 1/4 HEX BOLT
E	04	11-HEX-38112	3/8 x 1 1/2 HEX BOLT
F	04	11-HEX-38(16)1	3/8 x 1 HEX BOLT
G	28	12-LOK-38	3/8 CENTER LOCK HEX NUT
H	60	13-FLT-38	3/8 USS FLAT WASHER
J	03	11-HEX-12134	1/2 x 1 3/4 HEX BOLT
K	03	12-LOK-12	1/2-20 NF HEX NUT
L	06	16-FND-2532212	1/2 FLAT WASHER
M	02	11-HEX-516114	5/16 x 1 1/4 HEX BOLT
N	02	11-HEX-5163	5/16 x 3 HEX BOLT
O	04	13-FLT-516	5/16 FLAT WASHER
P	06	18-PUL-412	4 1/2" PULLEY
Q	05	16-CAP-22	2 x 2 ENDCAP
R	04	19-GRP-78COMFORT	COMFORT GRIP
S	02	26-STD-PLAS126	KNURLED FOOT REST
T	03	16-CAP-112112	1 1/2" x 1 1/2" ENDCAP

S303

INCLINE PRESS

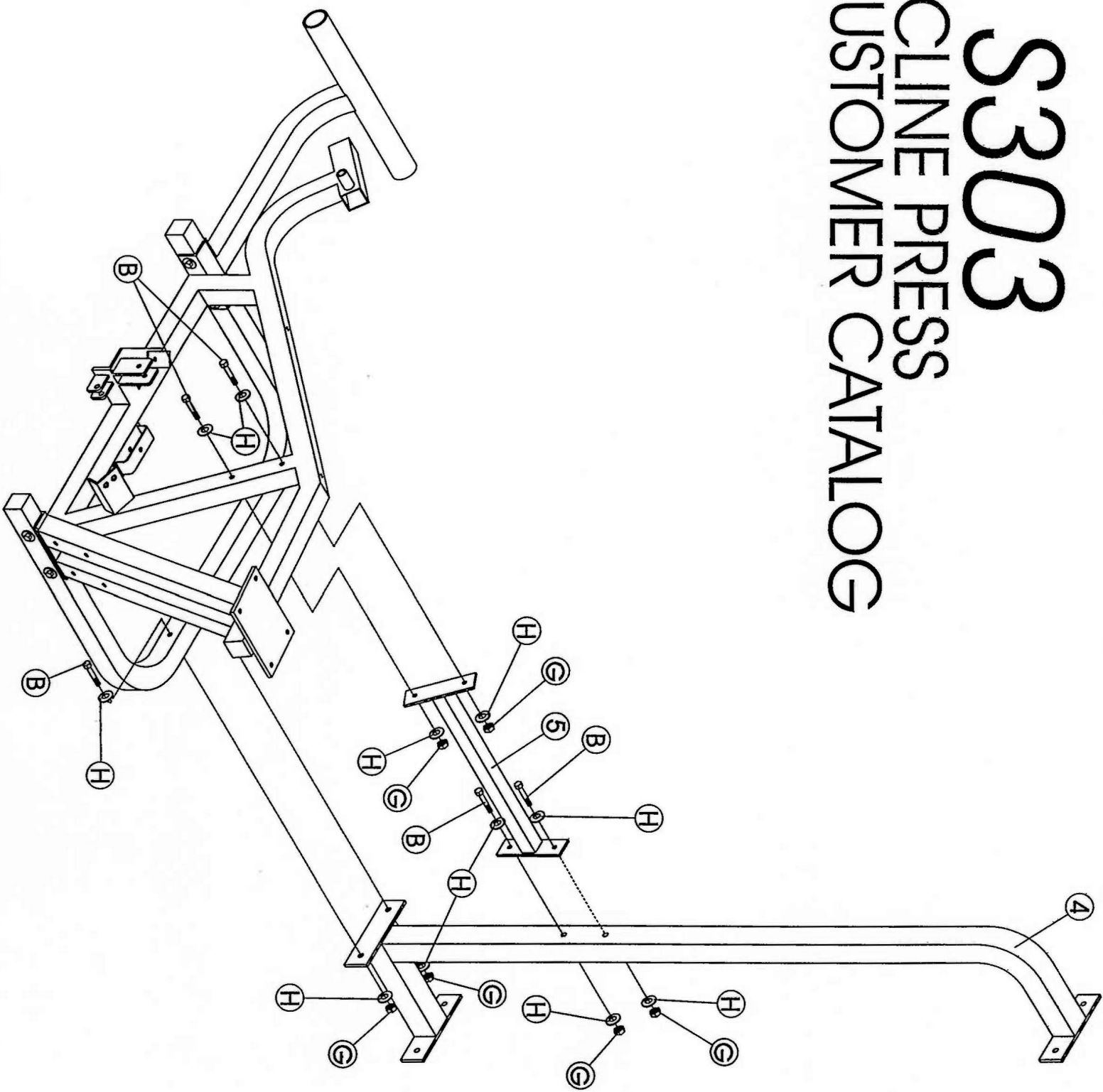
CUSTOMER CATALOG



S303

INCLINE PRESS

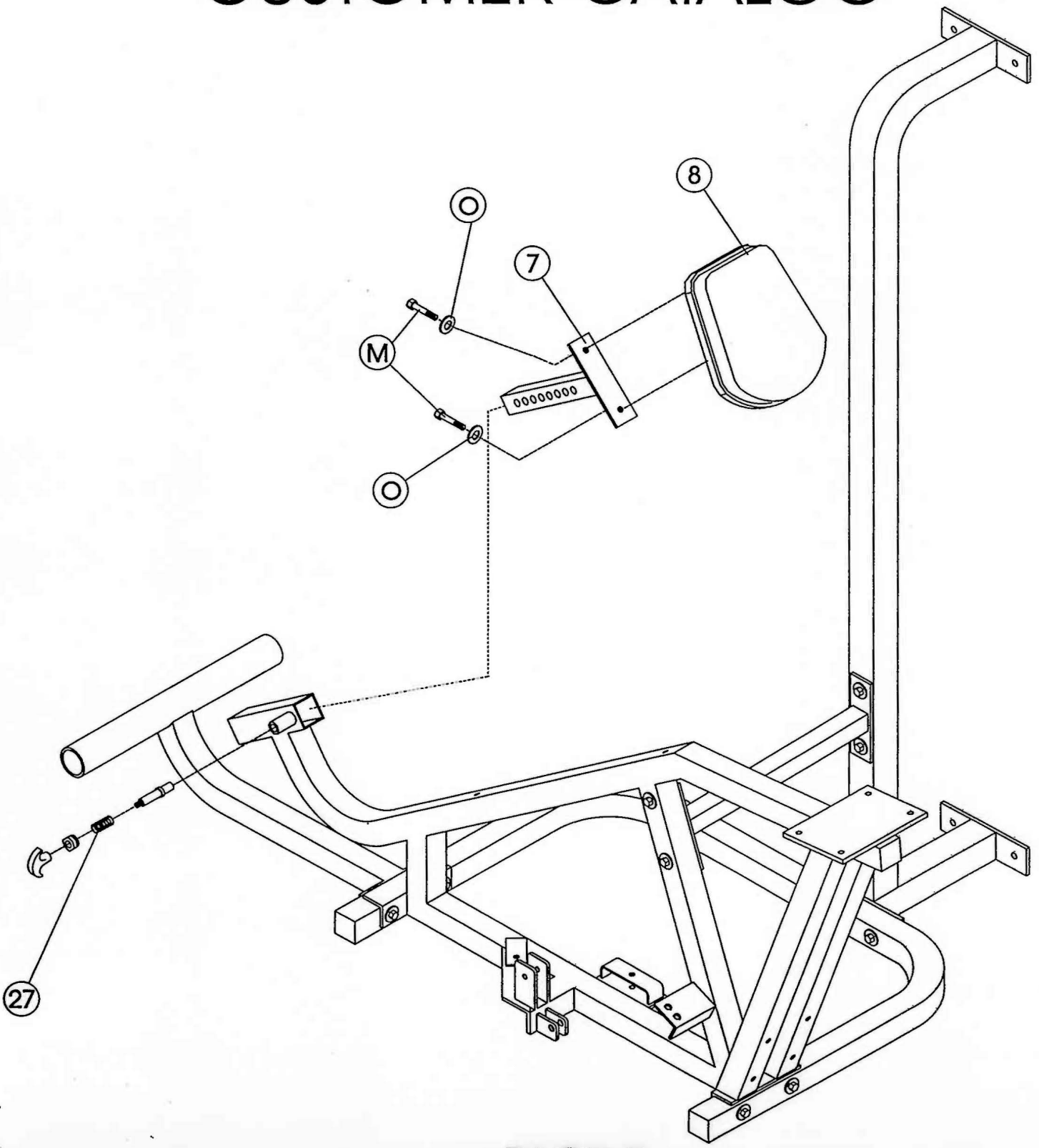
CUSTOMER CATALOG



S303

INCLINE PRESS

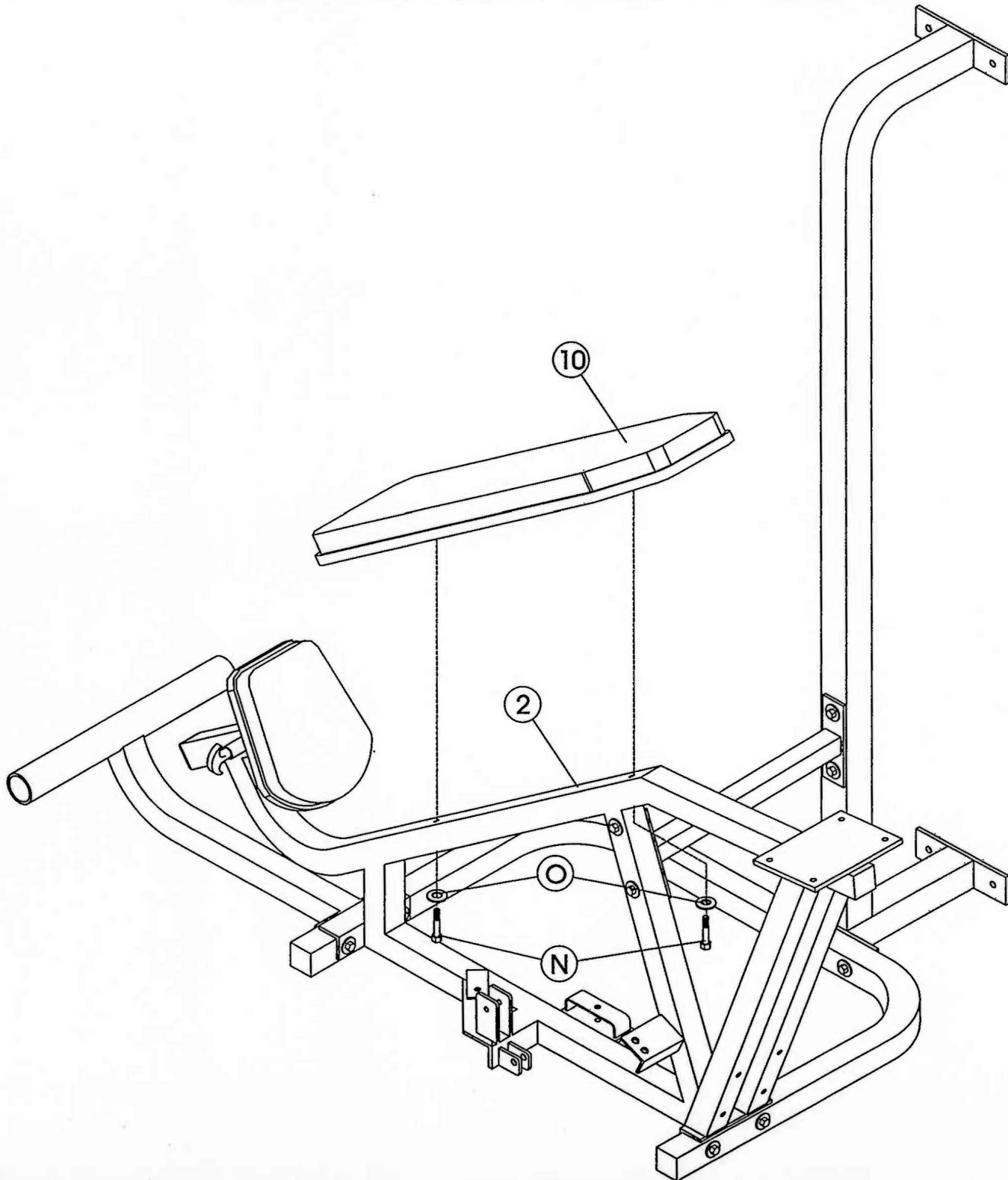
CUSTOMER CATALOG



S303

INCLINE PRESS

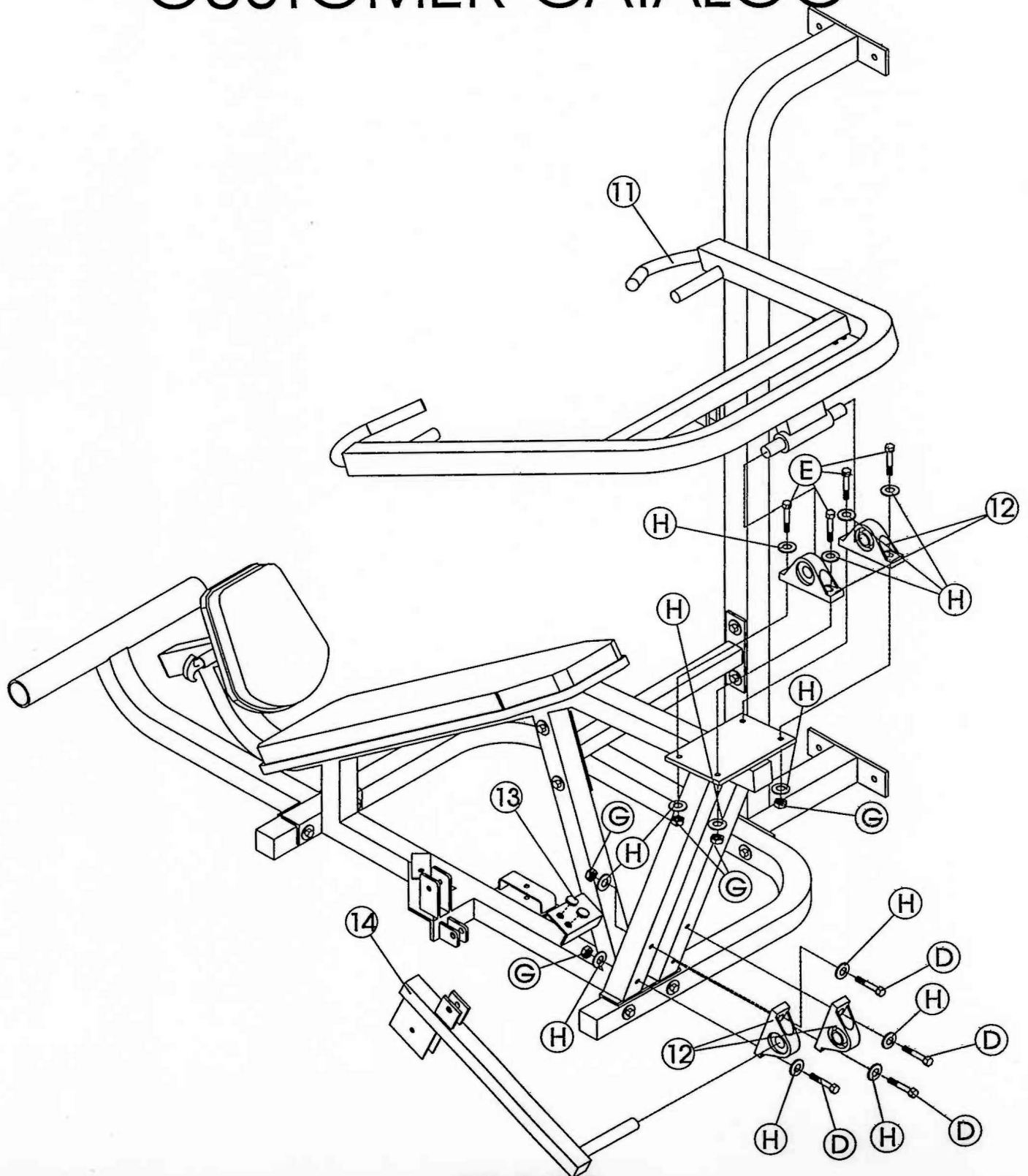
CUSTOMER CATALOG



S303

INCLINE PRESS

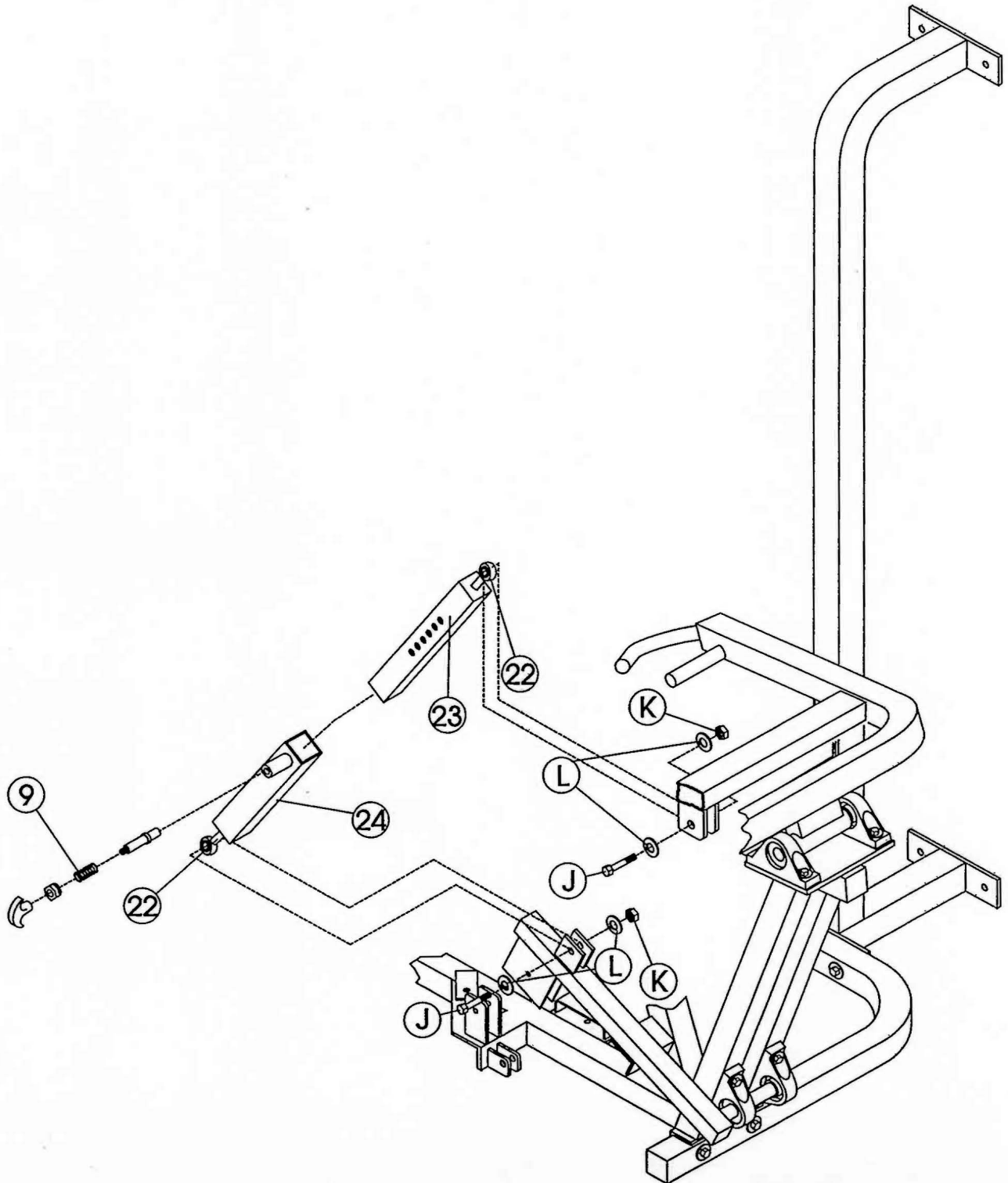
CUSTOMER CATALOG



S303

INCLINE PRESS

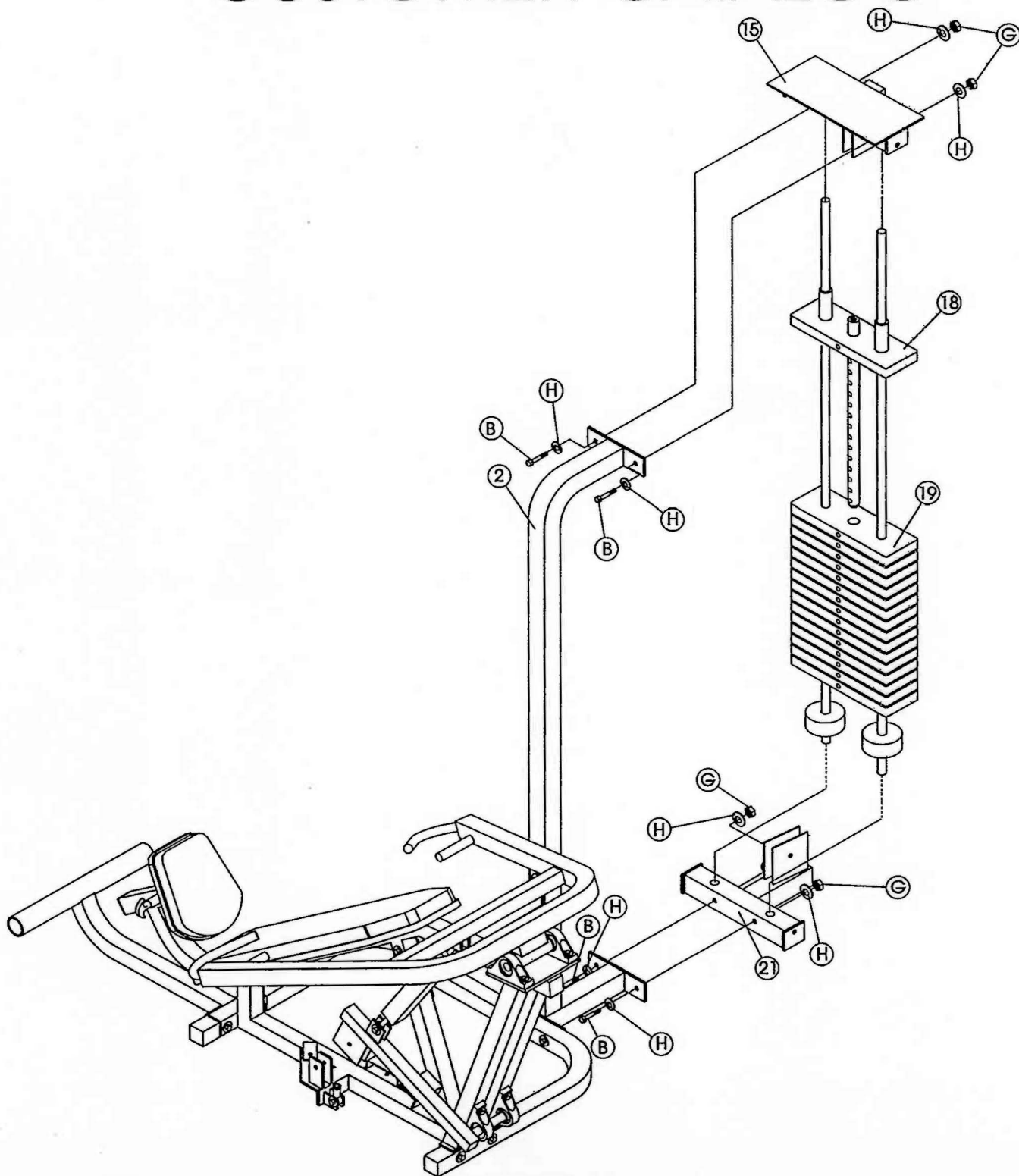
CUSTOMER CATALOG



S303

INCLINE PRESS

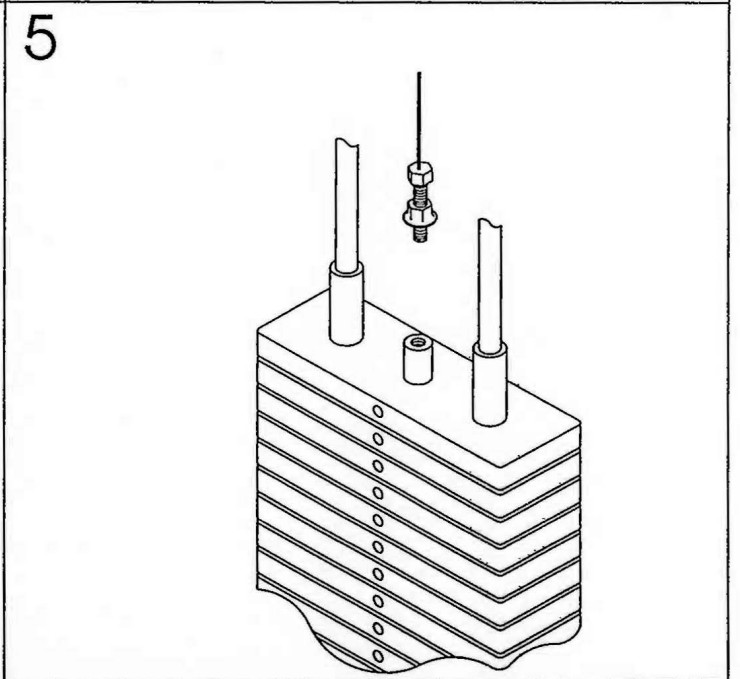
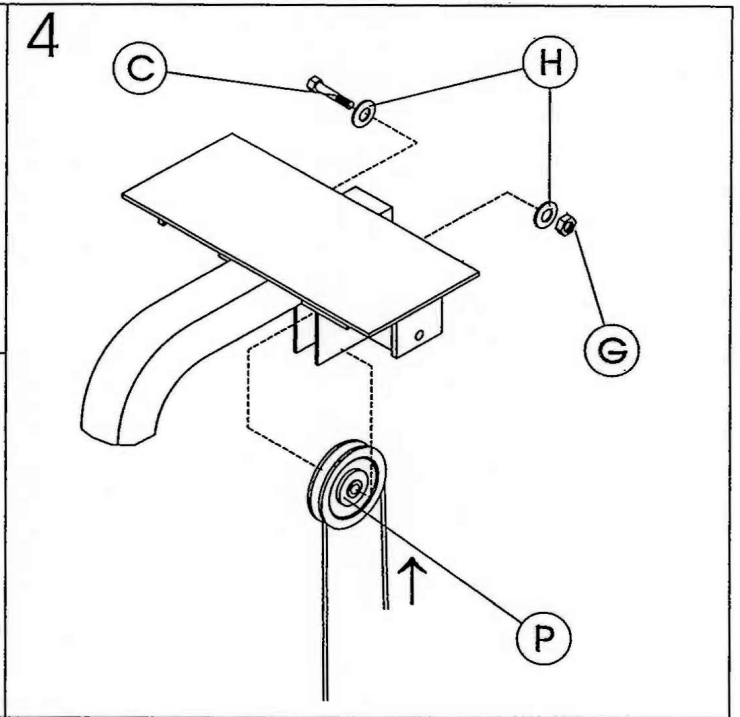
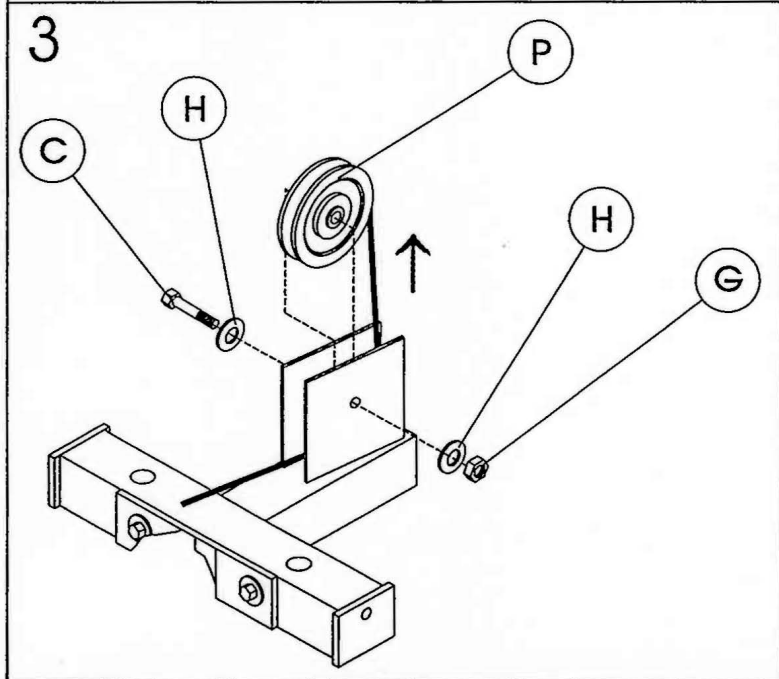
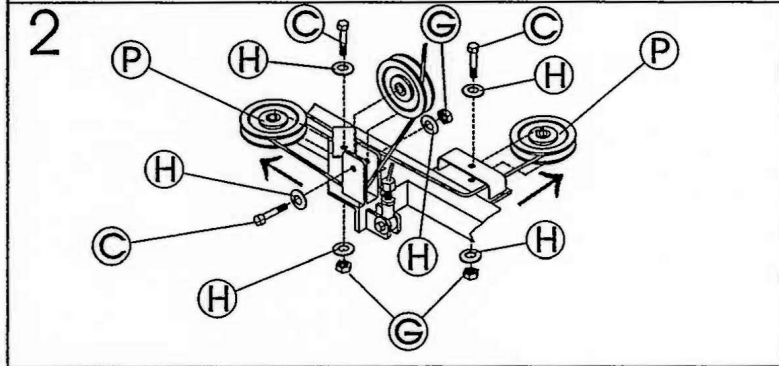
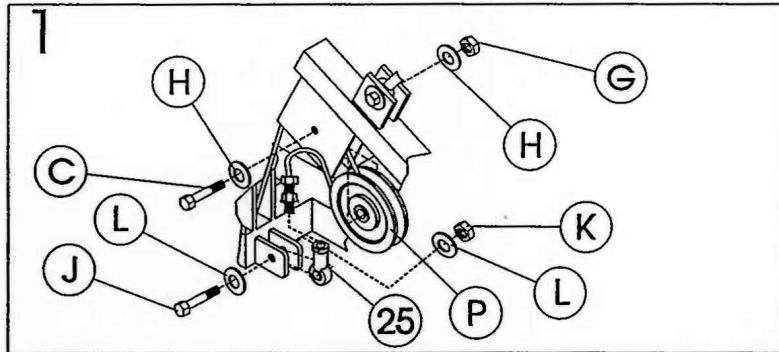
CUSTOMER CATALOG



S303

INCLINE PRESS

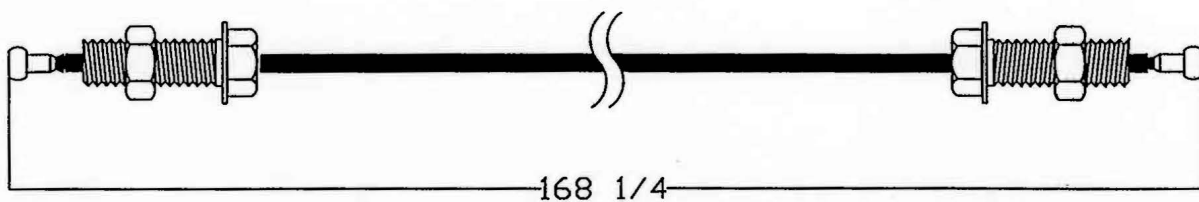
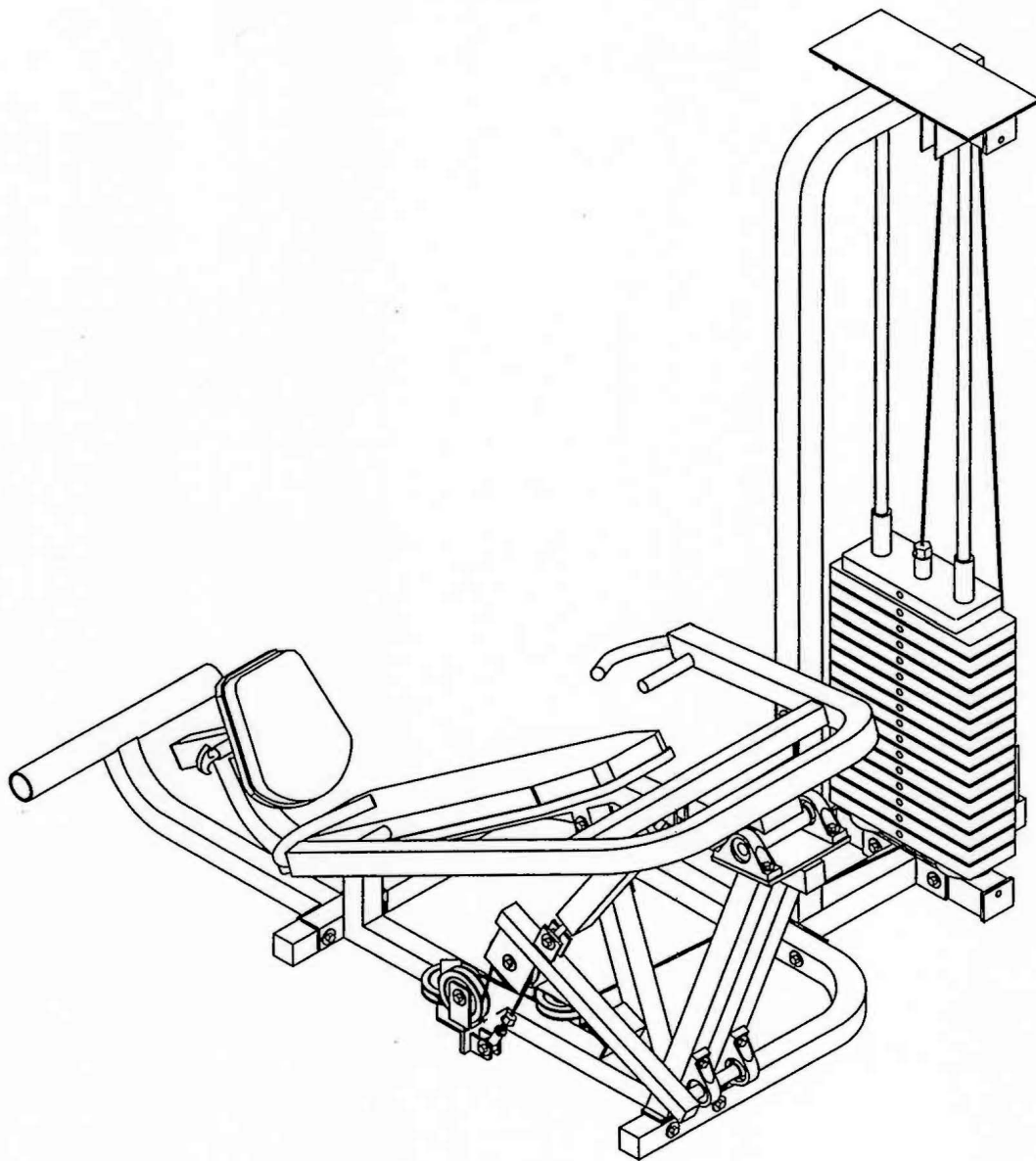
CUSTOMER CATALOG



S303

INCLINE PRESS

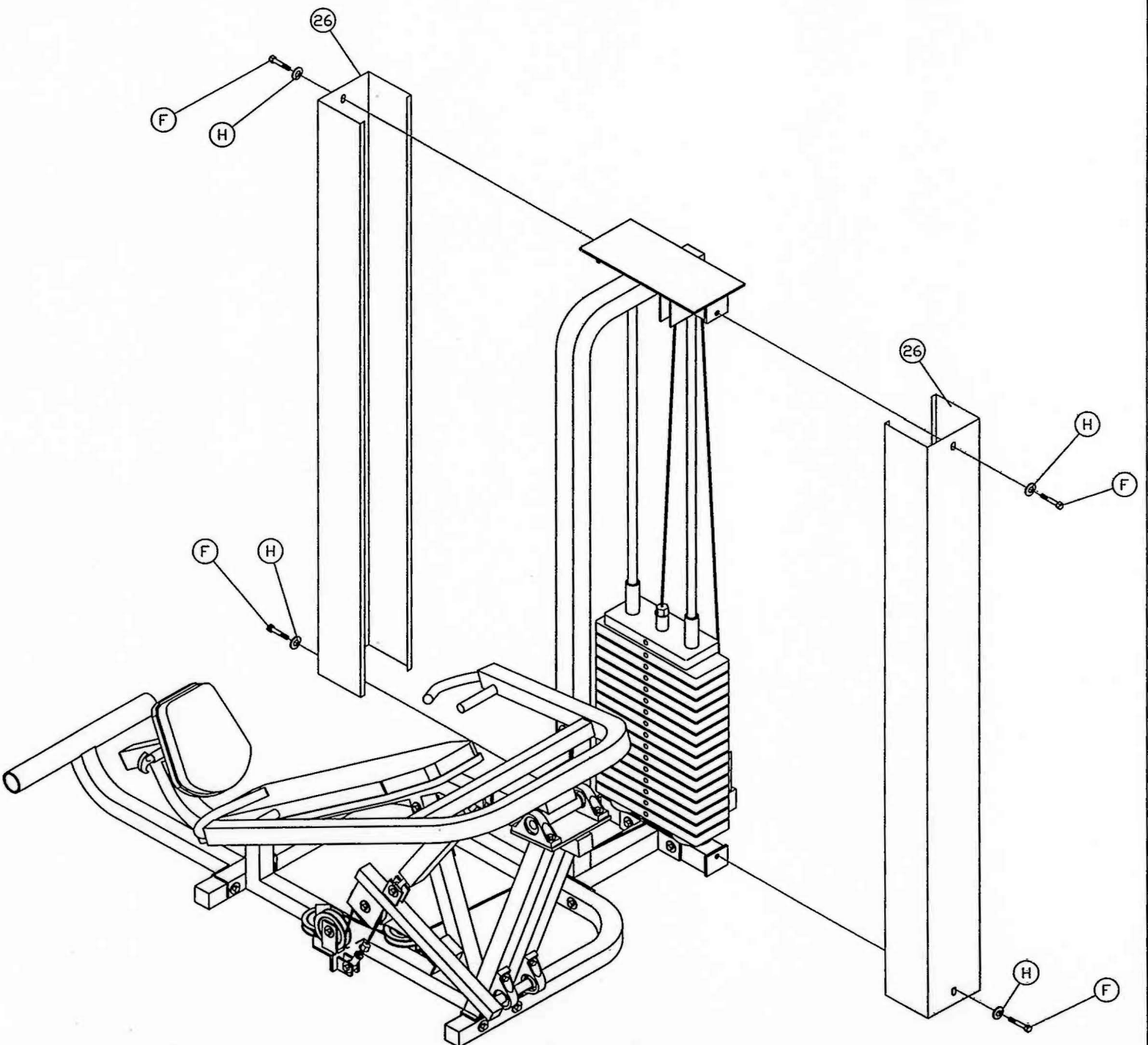
CUSTOMER CATALOG



S303

INCLINE PRESS

CUSTOMER CATALOG



S303

INCLINE PRESS

CUSTOMER CATALOG

